

EUROGARD VEHICLE SHUTTERS

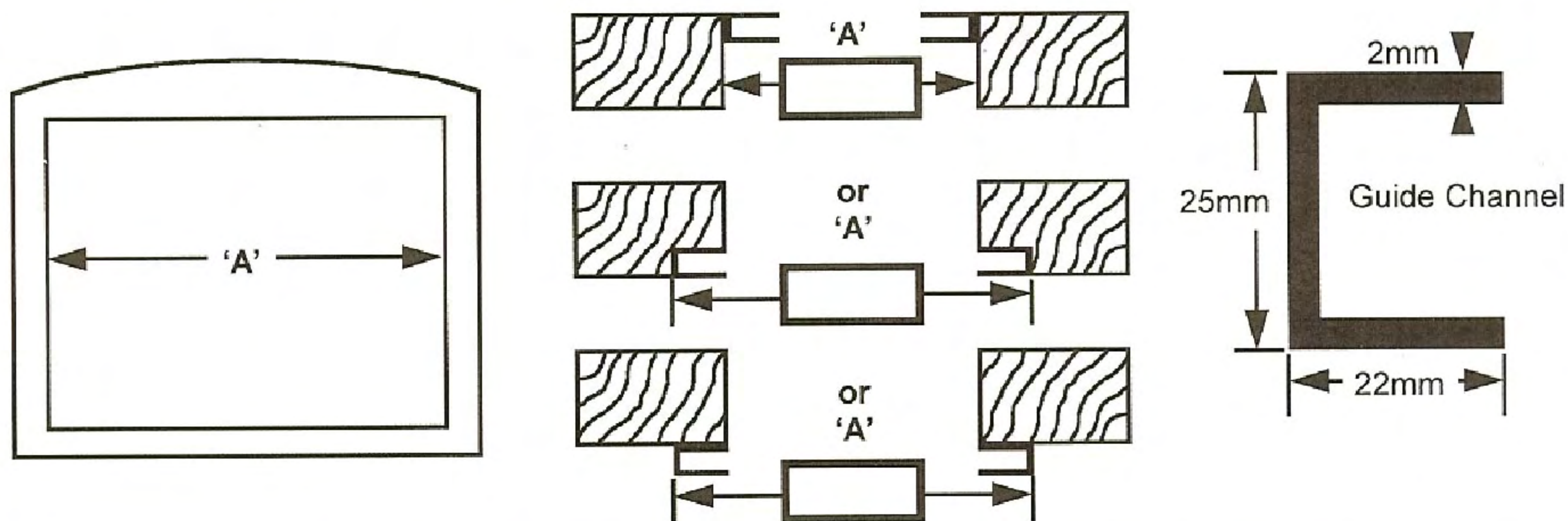
ORDER FORM / DIMENSIONAL DETAILS

PLEASE COMPLETE FIG. 1 PLUS FIG. 2

Customer Name:		Customer Order No:	
Address		Customer Tel No:	
		Order Date:	Date Required:
		Person Placing Order:	
Type of Shutter:	Eurogard	Roller Shutter	
Quantity:	Price Each:	Colour:	Type of Lock:
Pull Strap	Side Seals	Customer signature:	

'A' MEASUREMENT - Width over back of channels.

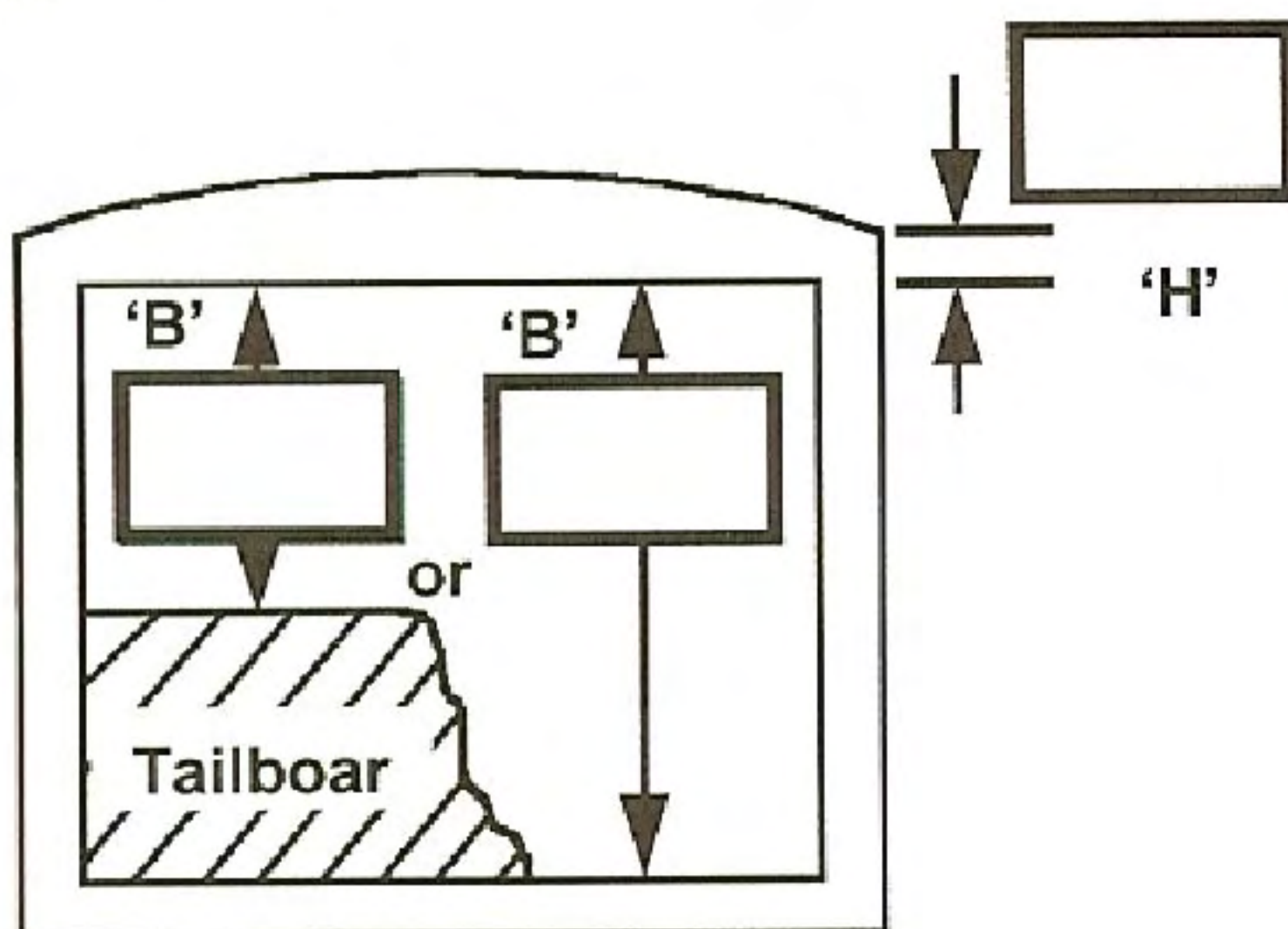
Fig. 1



ROLLER SHUTTER 'B' MEASUREMENT

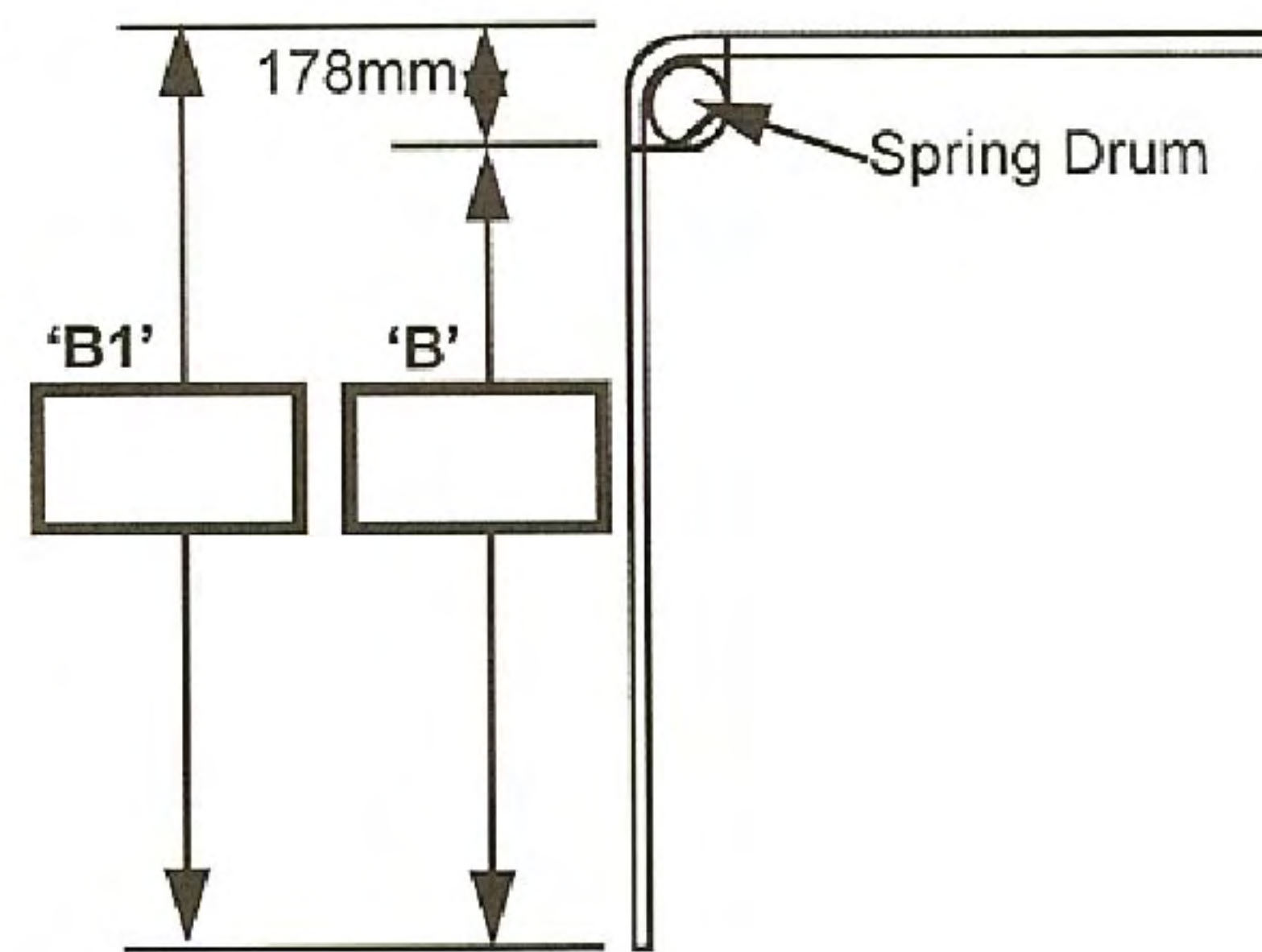
Height from top of floor (or tailboard) to underside of headboard.

Fig. 2



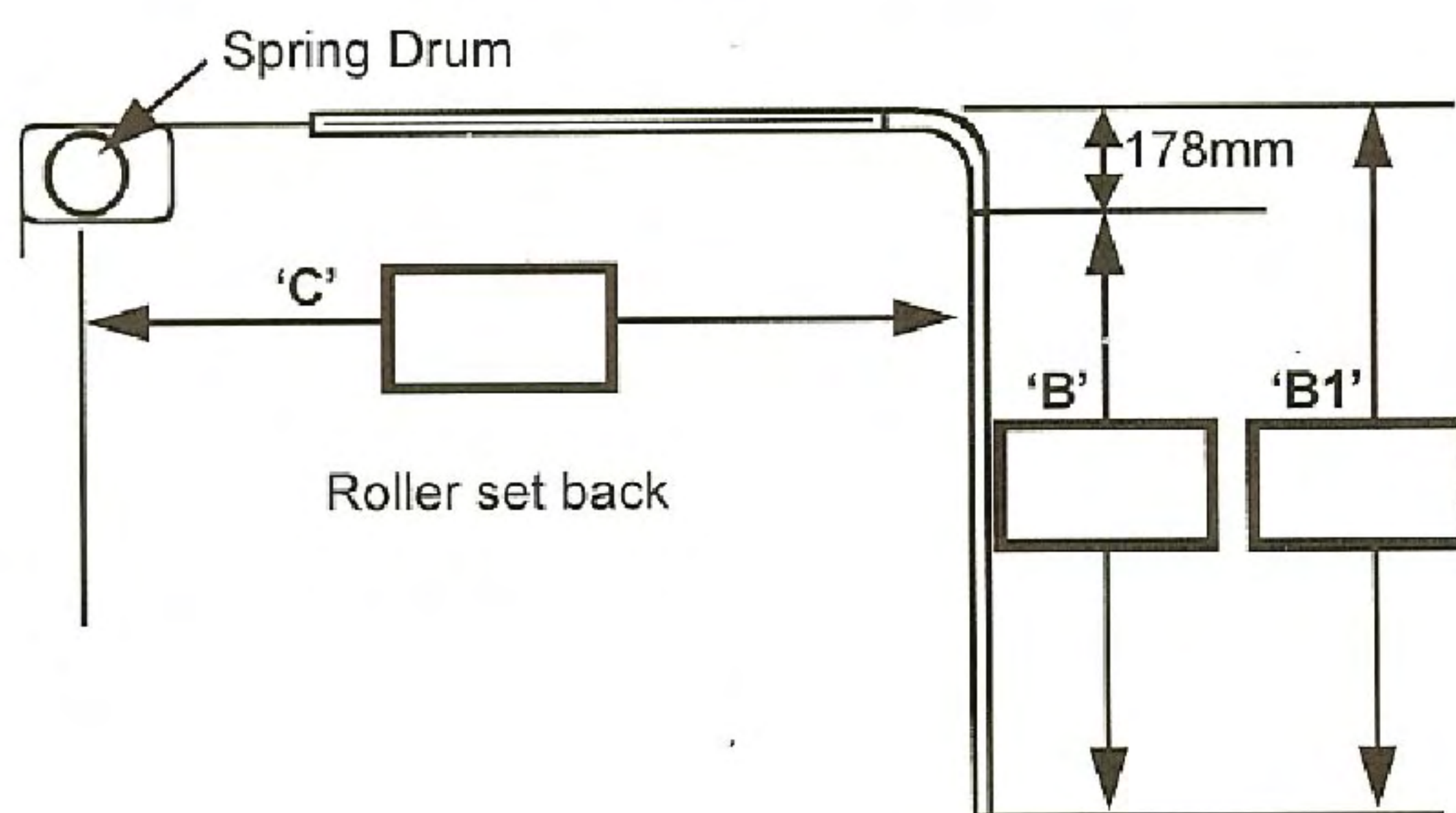
OVERHEAD SHUTTER

Fig. 3



ROOF TYPE SHUTTER

Fig. 4



ORDERING DIMENSIONS

- 'A' - WIDTH OVER BACK OF CHANNELS
- 'B' - APERTURE HEIGHT
- 'H' - HEADER HEIGHT

Ref: EG order 10/06

Euro Transport Manufacturing Ltd

PART OF THE SERVICE METALS GROUP
 HEAD OFFICE & FACTORY
 Unit 1 & 3, Forest Mill, Burnley Road East, Water, Rossendale BB4 9PX
 Tel: 01706 260871 Fax: 01706 230319